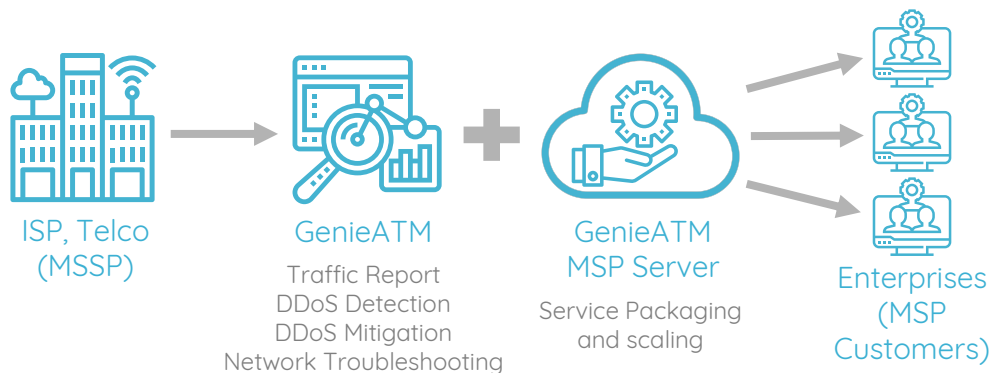


Flow-based DDoS Managed Service Provisioning with GenieATM MSP Server

The One-Stop MSP-Enabling Platform for Service Providers

As DDoS threats continue to evolve and grow, it has become critical for organizations to take measures to ensure complete network traffic visibility and DDoS protection. Raising and maintaining a security response team is not only time-consuming, but also labor-intensive. Many of today's enterprises tend to look for outsourced cloud-based solutions backed by Managed Security Service Providers (MSSPs). As the trend spreads, many ISPs and Telcos are turning to Genie's MSSP solution to earn additional revenue streams by delivering value-added managed services to their enterprise customers. GenieATM MSP Server provides a turnkey, one-stop MSSP platform that guarantees system scalability, multi-tenancy, and minimum operational complexity to help MSSPs combat the rising challenges in performance, capacity, and costs.



Feature Highlights

Multi-Tenancy and Scoped Services

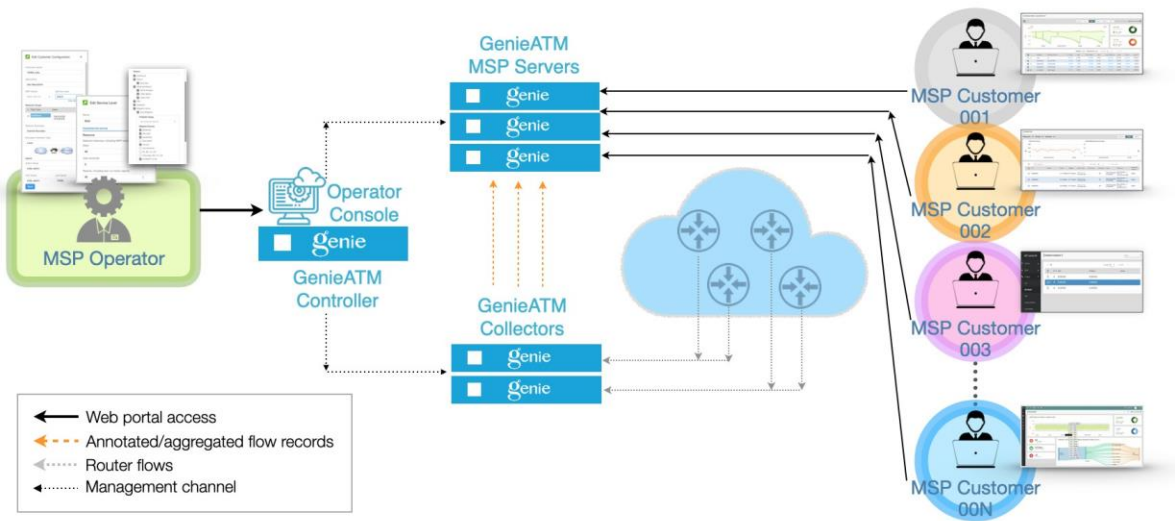
- Scoped operations including network traffic analysis and DDoS detection and mitigation for each tenant
- Customized traffic report, anomaly alert, and dashboard UI for every MSP customer

MSP-Aligned Business Workflow

- Enhanced system management, configuration, and operation workflow purpose-built for MSP business provisioning
- MSP operations deployed within a few clicks according to each customer's Service Level Agreement

High System Scalability

- System capacity including throughput, the number of MSP customers, and the number of concurrent users can be scaled-out by stacking MSP servers and licenses



How GenieATM MSP Server Works

Benefits

For MSP Operators

- Generate new revenue streams by offering value-add services
- Cost saving through economy of scale and shared deployment
- Strengthen operator's competition edge by MSP service differentiation (competitive pricing, tailored services)

For MSP Customers

- No on-premise system management and hardware deployment hassle
- OPEX-based service model (per-use fee) avoids hefty upfront capital investments to purchase on-premise systems

About Genie Networks

Genie Networks is a leading provider of network traffic intelligence and security solutions that ensure complete visibility into data traffic trends and instant protection against cyber threats. Genie's head office resides in Taipei, Taiwan, with regional branches in Beijing, Shanghai, Tokyo, Mumbai and Singapore. Genie's products are deployed in more than 40 countries serving more than 500 customers worldwide. Learn more at www.genie-networks.com.



+886 2 2657 1088

sales@genie-networks.com

www.genie-networks.com